



## **Implementation Guideline**

**Saint Gobain Building Distribution Deutschland GmbH  
(SGBDD)**

**PURCHASE ORDER D96.A on the Base of EANCOM**

**(Version: 2.2)**

**October 2008**

Last editor:	Jürgen Bäumker
Date of the last amendment:	01.10.2008
Version:	2.2

History

**06. February 2002**

**Modifications to Version 1.0:**

1. *Insertion of the FTX Segment into the header of the message for the transmission of logistics information, which is distinct from the transportation details in this segment, will lead to the manual reprocessing of a purchase order by the recipient.*
2. *Completion of the logical diagram of the collection addresses. See notes regarding the NAD Segment.*

**02. May 2002**

**Modifications to Version 1.1:**

1. *Abolition of the constraint that the header can only be used for logistic information in the case of third-party purchase orders. Now information can also be transmitted in the header with all purchase orders. A basic recommendation still applies to use the header only in exceptional circumstances.*
2. *For the transmission of object information, a distinction is to be made between an object number of SGBDD (BHS Object Number) and an object number of the supplier. Both numbers may now be transmitted in the header of the message in the Segment RFF. The qualifier for the reference number of a third party is to be modified to a BHS object number.*
3. *Transmission of the processor in the NAD Segment. In the case of a purchase order on commission (stock and section) the name or the ILN (if existent) of the SGBDD client (processor or semi-client) is to be transmitted in the NAD Segment.*
4. *The inclusion of a segment (ALI Segment) for the identification of items as a gap articles. Please take care to ensure that only a single article is allowed to be identified as a gap article.*

**24. September 2002**

**Modifications to Version 1.2:**

1. *Triple repetition in the PIA Segment, data element group C212 eliminated.*

**01. October 2008**

**Modifications to Version 1.2.1.:**

1. *Endorsement of the Code List 1153 in the Segment RFF in the SG 3 for the transmission of further information to the final recipient.*
2. *Insertion of the MOA Segment into the sum part for the transmission of the entire purchase order amount (sum of item values).*

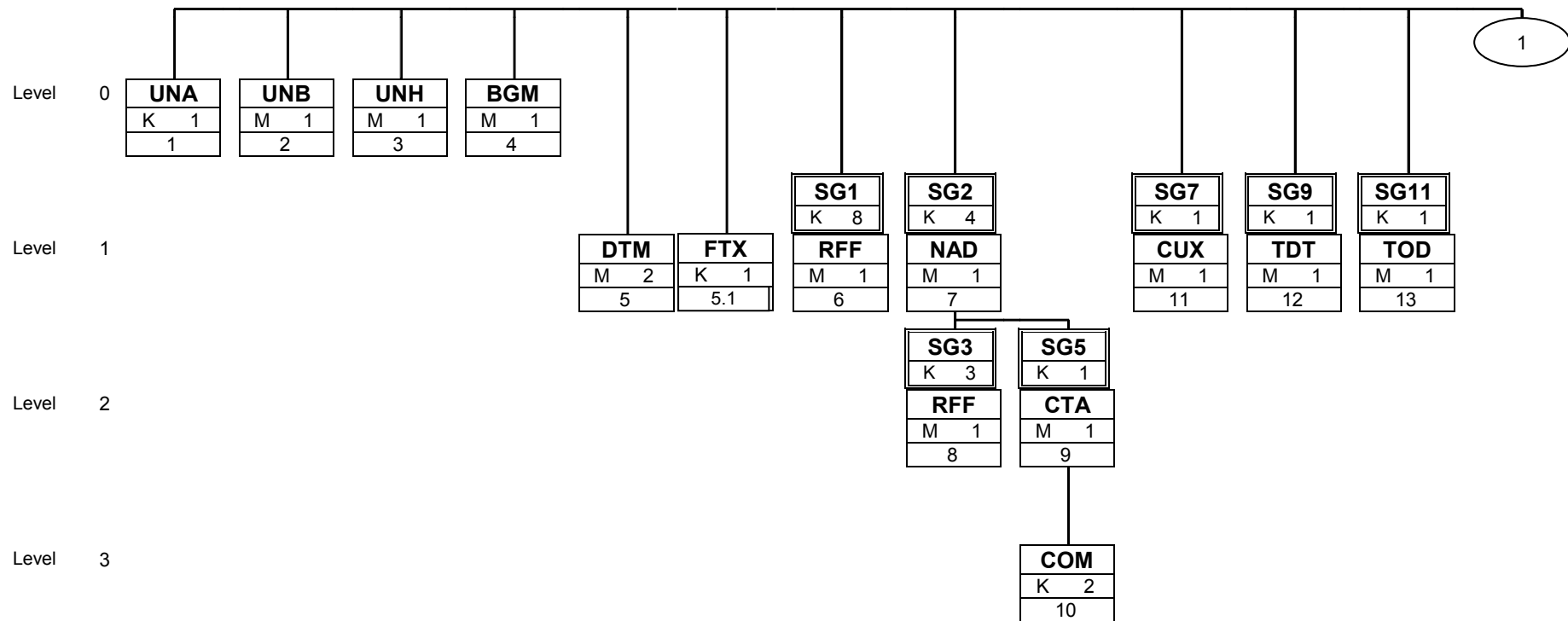
**Summary of the Subset „Purchase Order”**

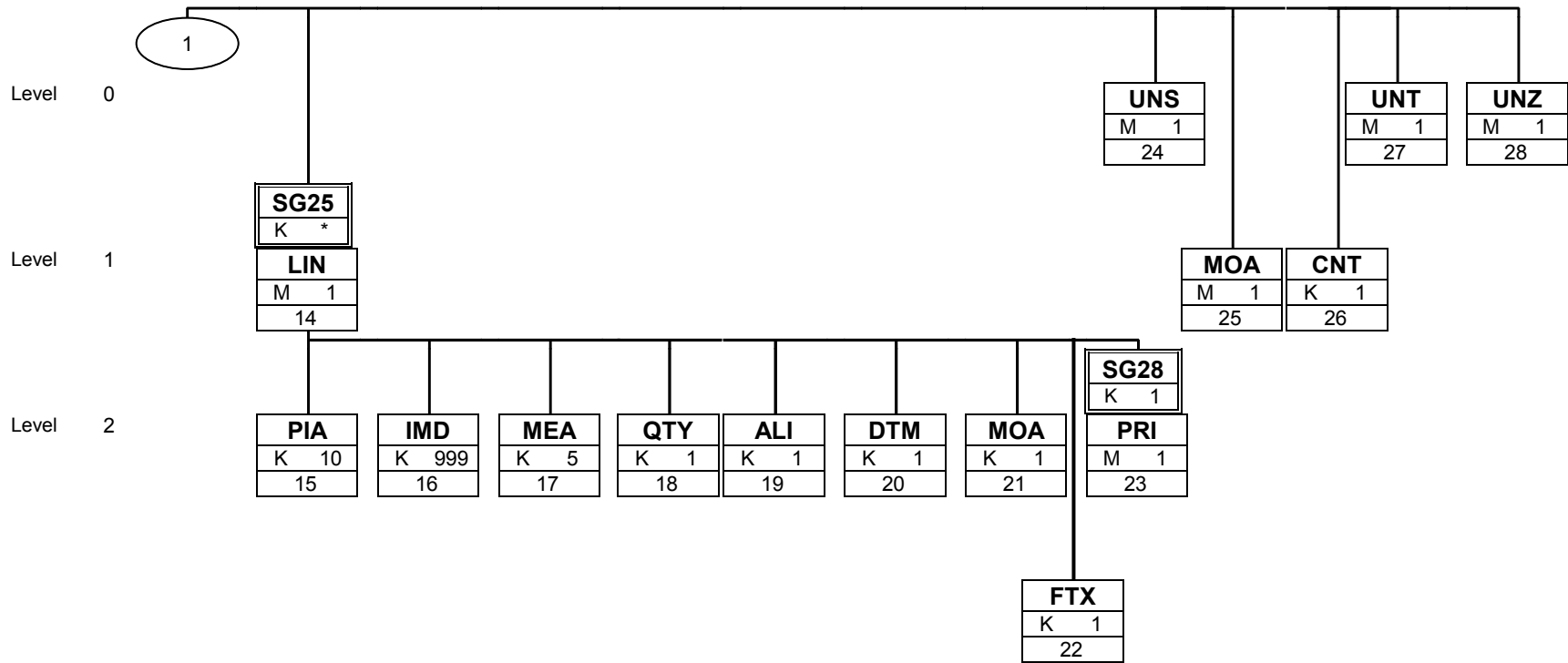
1.	MESSAGE STRUCTURE DIAGRAM.....	1
2.	MESSAGE STRUCTURE OF THE SUBSET.....	2
<b>1</b>	<b>MESSAGE STRUCTURE DIAGRAM.....</b>	<b>1</b>
<b>2.</b>	<b>MESSAGE STRUCTURE OF THE SUBSET.....</b>	<b>3</b>
<b>UNA</b>	<b>K 1 Separator Default/Standard Parameter.....</b>	<b>3</b>
<b>UNB</b>	<b>M 1 User Data Header.....</b>	<b>4</b>
<b>UNH</b>	<b>M 1 Message Header.....</b>	<b>6</b>
<b>BGM</b>	<b>M 1 Beginning of the Message.....</b>	<b>7</b>
<b>M 2</b>	<b>Date-/Time/Period.....</b>	<b>7</b>
<b>FTX</b>	<b>K 2 Free Text.....</b>	<b>9</b>
<b>RFF</b>	<b>M 1 Reference.....</b>	<b>10</b>
<b>NAD</b>	<b>M 1 Name and Address.....</b>	<b>11</b>
<b>RFF</b>	<b>M 1 Reference.....</b>	<b>13</b>
<b>CTA</b>	<b>M 1 CONTACT INFORMATION.....</b>	<b>14</b>
<b>COM</b>	<b>K 2 COMMUNICATION CONTACT.....</b>	<b>14</b>
<b>CUX</b>	<b>M 1 CURRENCIES.....</b>	<b>15</b>
<b>TDT</b>	<b>M 1 TRANSPORTATION DETAILS.....</b>	<b>16</b>
<b>TOD</b>	<b>M 1 TERMS OF DELIVERY.....</b>	<b>17</b>
<b>LIN</b>	<b>M 1 Line Item.....</b>	<b>18</b>
<b>PIA</b>	<b>M 2 ADDITIONAL PRODUCT IDENTIFICATION.....</b>	<b>19</b>
<b>IMD</b>	<b>K 999 ITEM/SERVICE DESCRIPTION.....</b>	<b>20</b>
<b>MEA</b>	<b>K 5 Measures and Weights.....</b>	<b>21</b>
<b>QTY</b>	<b>M 2 Quantity.....</b>	<b>22</b>
<b>ALI</b>	<b>K 1 Additional Indications.....</b>	<b>23</b>
<b>MOA</b>	<b>M 1 Monetary Amount.....</b>	<b>25</b>
<b>PRI</b>	<b>M 1 Price Details.....</b>	<b>27</b>
<b>UNS</b>	<b>M 1 Section Control.....</b>	<b>28</b>
<b>MOA</b>	<b>M 1 Monetary Amount.....</b>	<b>28</b>
<b>CNT</b>	<b>K 1 Control Total.....</b>	<b>28</b>
	<i>This Segment is used to provide the sum totals.....</i>	<b>28</b>
<b>UNT</b>	<b>M 1 Message Trailer.....</b>	<b>29</b>
<b>UNZ</b>	<b>M 1 User data Trailer.....</b>	<b>29</b>
<b>-</b>	<b>CODE LIST.....</b>	<b>30</b>



# 1 Message Structure Diagram

The following illustration shows the message structure of the subset „purchase order“ with the segment status and the maximum repetition rate





\* SG25 Repetition = 9999

## 2. Message Structure of the Subset

### **UNA**      K 1      Separator Default/Standard Parameter

*In the segment UNA, the separators, the decimal marker and the release character will be defined. This segment is only defined once and is thus applicable for the following messages until cancelled. For that reason it is no longer transmitted.*

*If required, value: “: +. ? ‘ “*

*: separates data elements in a group of data elements*

*+ separates segment identifier, group of data elements and data elements*

*. Decimal marker (point)*

*? Release character gives the original meaning back to the sign following the release character.*

*Blank, reserved for applications, performed at a later stage*

*' Segment Trailer -*

#### Note:

*This segment is used in order to inform the recipient of the transmission file*

*That other separators, than the standard separators are used. Should the standard separator be used, the UNA Segment does not have to be sent. If it is sent, it has to come immediately Before the UNB Segment and has to contain the six separators chosen by the sender.*

**UNB M 1 User Data Header****S001 M SYNTAX-IDENTIFIER****0001 M a4 Syntax-Identification***Constant Value:*

<p>„UNOC“ UN/ECE Character Set C As defined in ISO 8859-1: Information Processing – Part 1: Latin Alphabet No. 1.</p>
---

**0002 M n1 Syntax Version Number***Constant Value:*

„3“ EDIFACT-Syntax Version 3
------------------------------

**S002 M INTERCHANGE SENDER****0004 M an..35 Interchange Sender Identification***ILN of the message sender.**Constant Value:*

„4260007750001“ SGBDD Head Offices
------------------------------------

**0007 M an..4 Participant Identification, Qualifier***Data element, in which a unique specification of the participants will be given.**Constant Value:*

„14“ EAN-International
------------------------

**S003 M INTERCHANGE RECIPIENT****0010 M an..35 Interchange Recipient Identification***ILN of the recipient. (ILN of the manufacturer)**Constant Value:*

„14“ EAN-International
------------------------

**0007 M an..4 Participant Identification, Qualifier***Data element serves as a unique specification of the participants.*

Constant Value:

„14“ EAN-International
------------------------

- S004** M DATE AND TIME OF PREPARATION
  - 0017** M n6 Date of Preparation  
*Date when a message is prepared by the sender in the format "YYMMDD" (This format is prescribed in accordance with the EDIFACT- Application Guideline for service segments).*
  - 0019** M n4 Preparation Time  
*Format: HHMM*
  - 0020** M an..14 **Interchange Control Reference**  
Unique reference for the identification of the interchange.  
Assigned by the sender.
  - 0026** NOT USED
  - 0029** NOT USED.
  - 0031** NOT USED.
  - 0032** NOT USED.
  - 0035** K TEST INDICATOR

Constant Value:

„1“ Test Transmission
-----------------------

**UNH M 1 Message Header**

*Segment to head, identify and specify a message.*

**0062 M AN..14 MESSAGE REFERENCE NUMBER**

*Serial number of the message in the interchange comprising a unique message reference assigned by the sender (for each EDI-partner; comprehensively transmitted.) During each interchange, each message is numbered serially without omissions, starting with a "1". Task to be undertaken by the convertor.*

**S009 M MESSAGE IDENTIFIER****0065 M an..6 Message Type Identification**

*Constant Value:*

„ORDERS“ Purchase Order
-------------------------

**0052 M AN..3 MESSAGE TYPE VERSION NUMBER**

*Constant Value:*

„D“ <sup>1</sup>
------------------

**0054 M an..3 Message Type Release Number**

*Constant Value:*

„96A“ <sup>2</sup>
--------------------

**0051 M an..2 Controlling Agency, coded**

*Constant Value:*

„UN“ <sup>3</sup>
-------------------

**0057 K an. Association assigned code**

*Constant Value:*

„EAN008“ <sup>4</sup>
-----------------------

<sup>1</sup> D = Draft

<sup>2</sup> UN/EDIFACT Draft Directory D.96A

<sup>3</sup> United Nations UN/ECE/TRADE/WP.4

<sup>4</sup> EAN-Version Control No. .

**BGM M 1 Beginning of the Message**

*Segment is used to indicate the type and the function of a message and to transmit the identification number of a message.*

**C002 K DOCUMENT-/ MESSAGE NAME**

**1001 K AN..3 Document/ Message Name-/, coded**

*The following codes are available:*

„220“	Order
-------	-------

**1004 K AN..35 DOCUMENT -/MESSAGE NUMBER**  
*Customer's Purchase Order Number.*

**1225 M AN..3 MESSAGE FUNCTION, CODED.**

*Constant Value:*

“1”	Cancellation
„9“	Original
“35”	Repeated transmission (without amendment)
“43”	Additional transmission

Note

*1= Cancellation (At present is not applied by SGBDD)*

*9= Original Standard case or the first transmission.*

*35= repeated transmission*

*The purchase order has already been transmitted (same purchase order number, same contents)*

*43=additional transmission*

*Message that has already been transmitted via a different communication channel (possibly appropriate for a parallel operation and/or the pilot phase)*

*At present, SGBDD has a constant transmission of the value 9.*

**DTM M 2 Date-/Time/Period**

*Segment used to specify the date of the order and, where required, requested dates concerning the delivery of goods. Both data are always delivered by SGBDD.*

**C507** M DATE-/TIME-/PERIOD DETAILS

**2005** M AN..3 DATE-/TIME-/PERIOD, QUALIFIER

*The following codes are available:*

"2"	Delivery Date
„137“	Document/Message Date/Time
„200“	Collection Date

**Note:**

200 = Collection Date (At present not used by SGBDD)

**2380** M an..35 Date-/Time-/Period

*Date of receipt or date of delivery.*

*Date formatted as indicated in data element 2379.*

**2379** M an..3 Date-/Time-/Period, Format, Qualifier

*Constant Value:*

„102“	CCYYMMDD
„203“	CCCCMMDDHHMM
616“	CCCWWW (calendar week)

**Note:**

*DTM-segment is required two times, one after the other: For the transmission of the purchase order date (with format qualifier „102“ CCYYMMDD).*

*For the transmission of the date of delivery (with one of the format qualifier mentioned above)*

*616= calendar week (At present not used by SGBDD)*

**FTX      K 2      Free Text**

*In this free text form, any remittance information that is relevant for the entire purchase order is transmitted.*

**4451**      M AN..3      TEXT SUBJECT, CODED

*Constant Value:*

„PUR“      Procurement Information
------------------------------------

**4453**                      NOT USED.

**C107**                      NOT USED.

**C108**      M              TEXT

**4440**      M an..70      Free Text

**4440**      K an..70      Free Text

**4440**      K an..70      Free Text

**4440**      K an..70      Free Text

**4440**      K an..70      Free Text

**Note:**

*In this free text form, a maximum amount of 350 signs (5 x 70 signs) can be transmitted.*

**Segment-Group 1      K 8**

*In this segment, the reference numbers can be transmitted that refer to the entire purchase order.*

**RFF      M 1      Reference**

This segment allows reference numbers to be transmitted which relate to the whole order.

**C506      M 3      REFERENCE DETAILS**

**1153      M AN..3      REFERENCE, QUALIFIER**

*The following codes available:*

„AAG“	Quote Number
„AHU“	Inquiry number
„BO“	Blanket Order Number
„CT“	Contract Number
„OB“	Object Number of the Supplier
„KOM“	Commission Number
„PD“	Promotion Deal Number
„X6A“	BHS-Object Number

**1154      M..an..35      REFERENCE NUMBER**

Note:

*The object number of the supplier is the number that the supplier gives SGBDD in the object agreement.*

*The BHS Object Number is automatically allocated upon the production of an object by the SGBDD ERP-System (BHS) and can also be transmitted.*

**Segment Group 1 End**

**Group of Segments 2 K 4**

*This group of segments covers the NAD Segment as well as the group of segment 5 and is used to identify the trading partner and the locations.*

**NAD M 1 Name and Address**

*The NAD Segment is used to identify the trading partner involved in the order process.*

**3035 M AN..3 PARTICIPANT, QUALIFIER**

*The following codes are available:*

„BY“ Buyer  
 „DP“ Delivery Place  
 „SU“ Supplier  
 „UC“ Ultimate Customer (for example processor)

**C082 M PARTICIPANT IDENTIFICATION DETAILS**

**3039 M an..17** Trading Partner Identification Number, coded  
*Dependant on the qualifier indicated above, the Trading Partner 1 Identification Number is indicated here.*  
*ILN = International Location Number*

**1131** NOT USED

**3055 M an..3** Code list responsible agency, coded  
*Constant Value:*

„9“ EAN

**C058** NOT USED

**C080 K NAME OF PARTICIPANT**

**3036 M an..35** Name of Participant  
*Trading Partner’s Name in plain language text*

**3036 K an..35** Name of Participant  
*Trading Partner Name in plain language text*

<b>C059</b>	K		STREET NAME OF THE PARTICIPANT
<b>3042</b>	K	AN..35	STREET AND HOUSE NUMBER/ P.O.BOX
			Name/Number of the Building /
			Name of the Street or P.O. Box
<b>3164</b>	K	an..35	TOWN/CITY NAME
			<i>Town/City Name in plain language text</i>
<b>3229</b>			NOT USED
<b>3251</b>	M	AN..9	POST CODE
			<i>Postcode</i>
<b>3207</b>	K	AN..3	COUNTRY, CODED
			Department or Stock Address
			<i>ISO 3166 2-Alpha Code</i>

**Notes:**

*For the Buyer (Code BY), the Supplier (Code SU) and the Delivery Address (Code DP) the transmission of the ILN is sufficient. If no ILN is available, the data elements 3036 (Name), 3042 (Street r), 3164 (City) and 3251 (Post Code) have to be used for the transmission of the entire Address.*

*The delivery address (Code DP) has to be used with the type of delivery (TOD Segment = 10 e).*

*For the transmission of the Ultimate Customer (Code UC) the data elements 3036 (Name), 3042 (Street), 3164 (City) and 3251 (Post Code) have to be used for the transmission of the entire address. The LIN address can also be delivered.*

*If in the TOD Segment the Code 4 = Collection is used and in the case of a collection company or warehouse being used, then the ILN or the address of this company is to be inserted as Code SU.*

*The transmission of the central-ILN in the segment UNB remains unaffected by this.*

*The different delivery address can also be delivered for the purposes of information at the same time as the articles are collected.*

**Group of Segments 3 K 3**

**RFF M 1 Reference**

*Segment is used to specify reference numbers relating to the trading parties identified in the previous NAD Segment.*

**C506 M REFERENCE**

**1153 M an..3 REFERENCE, QUALIFIER**  
*Constant Value*

<p><i>„IT“ Internal Customer Number (Customer Number at RK</i></p> <p><i>„VA“ Value Added Tax Registration Number</i></p> <p><i>„API“ Additional Partner Identification (DUNS Number)</i></p>
---

**1154 M an..35 Reference Number**  
*Reference Number, relating to the qualifier chosen in data element 1153.*

**Note:**  
*The RK Customer Number (Code IT) and the DUNS Number (Code API) will only be transmitted during the interchange of the final recipient. For all other partners the ILN in the NAG Segment is sufficient.*

**Group of Segments 3 End**

**Group of Segments 5 K 1**

*This Group of Segments contains the CTA Segment for the identification of the contact persons. These indications are only made for the purchaser.*

**CTA M 1 CONTACT INFORMATION**

*Segment used to identify a communication contact (specific person or department) within the business/company specified in the previous NAD Segment.*

**3139** K an..3 Contact's Function

„OC“	Order Contact
------	---------------

**C056 K DEPARTMENT'S OR EMPLOYEE'S DETAILS**

**3413 K AN..17 DEPARTMENT'S OR EMPLOYEE'S IDENTIFICATION**

*Name of the employee*

**3412 K AN..35 DEPARTMENT OR EMPLOYEE**

*Name of the Employee*

**COM K 2 COMMUNICATION CONTACT**

*Segment identifies the communication number and type of communication for the contact (employee or department) identified in the preceding CTA Segment*

**C076 M COMMUNICATION CONTACT**

**3148** M an..25 Communication Number

**3155** M an..3 Communication Channel /-Communication Service, Qualifier

*The following codes are available*

„FX“	Telefax
„TE“	Telephone

**Group of Segments 5 End**

**Group of Segments 2 End**

**Group of Segments 7 K 1**

*This group of segments contains the CUX-Segment and is used for the transmission of basic currency information for the entire purchase order.*

**CUX M 1 CURRENCIES**

*This segment is used to specify the currency for the entire purchase order. It may be left out in the national data exchange; however it must be indicated in the international data exchange.*

**C504 K CURRENCY DETAILS**

**6347** M an..3 Currency Use Code Details, Qualifier  
Constant Value:

„2“	Reference Currency
-----	--------------------

**6345** M an..3 Currency, coded

*The most important Currency Code according to ISO 4217(see Annex):*

„EUR“	Euro
-------	------

Note

*At present, only the Code „EUR“ is used by SGBDD. The corresponding code list as per ISO 4217 is added in the Annex.*

**6343** M an..3 Currency Type Code, Qualifier  
Constant Value:

„9“	Order Currency
-----	----------------

**Group of Segments 7 End**

**Group of Segments 9 K 1**

The Group of Segments 9 covers the Segment TDT and specifies the transportation details.

**TDT M 1 TRANSPORTATION DETAILS**

*Specifies details related to transportation such as the type of transportation, the means of transportation, the transportation reference number and the identification of the transportation means.*

**8051M AN..3 TRANSPORTATION STAGE / SECTION, QUALIFIER**  
*Constant Value:*

„20“	Main stage of transportation
------	------------------------------

**C220 K TRANSPORTATION MODE**

**8067 K an..3 Transportation Mode, coded**  
*Constant Value:*

„30“	Road Haulage
------	--------------

**C228 K TRANSPORTATION MEANS**

**8179 K an..8 Types of Transportation Means, coded**  
*The following codes are available:*

„34“	UPS, DHL, German Parcel
„51“	Parcel service of the post
„52“	Courier Services of the Post
„13E“	Semi-Trailer 24t, 10m Crane
„14E“	Semi-Trailer, 24t, 15m Crane
„15E“	Semi-Trailer 24t, 18m Crane
„19E“	Heavy Goods Vehicle +truck, 10m crane
„22E“	Heavy Goods Vehicle +truck, 10m crane
(15t)	

**Group of Segments 9**

**End**

**Group of Segments 11 K 1**

*This segment group covers the Segment TOD and is used to specify the terms of delivery.*

**TOD M 1 TERMS OF DELIVERY**

*The terms of delivery for the entire receipt are transmitted in the TOD Segment.*

**4055 M AN..3 TERMS OF DELIVERY FUNCTION, CODED**

*The following codes are available:*

<i>„4“</i>	<i>Collection by customer</i>
<i>„10E“</i>	<i>Supply by deliverer</i>

**Group of Segments 11 End**

**Group of Segments 25 K 9999**

**LIN M 1 Line Item**

This Segment identifies the items ordered. The item detail section of the order is formed by a repeating group of segments, always starting with a LIN Segment

**1082** K n..6 LINE ITEM NUMBER  
*Serial line item assigned by the Sender*

**1229** NOT USED

**C212 M ITEM NUMBER IDENTIFIKATION**

**7140** K an..35 Item/Service Number

**7143** M an..3 Item/Service Number, coded

Constant Value:

„EN“ International Article Numbering Association (EAN)
--

**PIA** M 2 ADDITIONAL PRODUCT IDENTIFICATION  
*In the PIA Segment, additional information relating to the article may be transmitted.*

**4347** M AN..3 PRODUCT IDENTIFICATION FUNCTION, CODED.

*The following codes are available:*

„1“	Additional Identification
“5”	Product Identification

The code 5 may only be used if no EAN Number is available.

**C212** K ITEM/SERVICE NUMBER, IDENTIFICATION

**7140** K an..35 Item/Service Number

**7143** M an..3 Item/Service Number, coded

*The following codes are available:*

„BP”	Buyer’s item number
“FN”	Colour Number
“SN”	Serial Number
“NB”	Charge Number
“SA”	Supplier’s Article Number
“GB”	Customer Internal Code Product Group

Note:

*SGBDD either delivers an EAN Number or a Producer Article Number. Both numbers may also be transmitted. In the case of articles which can not be identified without doubt SGBDD delivers a composite article number as a producer article number. This number will be allocated by SGBDD in agreement with the supplier.*

*The Code PIA/4347 is dependant on whether an EAN Number was transmitted (NO EAN = PIA/4347= 5, otherwise = 1)*

**IMD K 999 ITEM/SERVICE DESCRIPTION**

*Segment is used to describe the actual item. The maximum repetition rate of the segment is 999, yet RK has only used it a maximum of three times to date*

**7077 M an..3** ITEM DESCRIPTION TYPE, CODED

*Constant Value:*

„F“	Free Form
-----	-----------

**7081 K** PRODUKT/ITEM GROUP, CODED

*Constant Value:*

„35“	Colour
------	--------

**C273 M** ITEM/SERVICE DESCRIPTION

**7009** *not used*

**1131** *not used*

**3055** *not used*

**7008 M an..35** Item/Service Description 1

*Item/Service Description 1 (1-35) Colour Text*

**7008 K an..35** Item/Service Description 2

*Item/Service Description 2 (36-70)*

Note:

*In the IMD segment, the article description sent by SGBDD is illustrated and thereby transmitted in up to three fields of 35 signs each.*

*If we are dealing with a composite article all article descriptions are transmitted on the FTX segment (see below) and the IMD Segment remains blank.*

**MEA K 5 Measures and Weights**

*This segment is used to specify physical sizes of the ordered item, to the extent that it is sold in variable lengths or volumes.*

**6311** M an..3 MEASUREMENT DIMENSION, QUALIFIER

*The following codes are available:*

„AAI“	Item Weight
„PD“	Physical Dimension

**C502 K** MEASUREMENT DETAILS

**6313 K** an..3 Measurement dimension

*The following codes are available:*

„AAA“	Net Weight
„AAB“	Gross Weight
„ABJ“	Volume
HT“	Height
„ID“	Internal Diameter
„LN“	Length
„TH“	Thickness
“WD“	Width

**C174 K** VALUE/RANGE

**6411 K** an..3 Measurement unit qualifier

*The following codes are available:*

See code list 6411
--------------------

**6314 K** an..18 Measurement value

Measurement value to **three** decimal places.

**QTY M 2 Quantities**

*This Segment is used to specify the product quantities ordered for the current line identified in the LIN segment. SGBDD always only delivers the quantity of the relevant order item.*

**C186** M QUANTITY DETAILS

**6063** M an..3 Quantity, Qualifier

*The following codes are available:*

„21“	Ordered Quantity
------	------------------

**6060** M n..15 Quantity

Quantity Details to three decimal places

**6411** M an..3 Measurement, Unit Qualifier

*The following codes are available:*

See code list 6411
--------------------

“SME” Code for composite article
----------------------------------

Note:

*The data element 6411 “Measurement Unit, Qualifier” is only used for purchase orders of mass variable items.*

*The Code “SME” has been inserted upon request of SGBDD/SDS. It does not belong to the official code list 6411.*

**ALI**      K 1      Additional Indications

**3239**                      NOT USED.

**9213**                      NOT USED

**4183**      M n..15      Special conditions, coded  
*Constant Value:*

<i>„164“ Gap Article (Shipment Complete)</i>
--

*If an article is designated as a gap article, the amount of the transport which is not taken up with other items is to be entirely filled with this article.*

*Only one article may be designated as a gap article*

**DTM**      **K**      **1**      **Date-/Time/Period**  
*For the indication of a date of collection or delivery*

**C507**      **M**              **DATE-/TIME-/PERIOD DETAILS**

**2005**      **M** **M** **AN..3**      **DATE-/TIME-/PERIOD QUALIFIER**  
*The following codes are available:*

“2”      *Delivery Date/Time*  
 „200“      *Collection Date*

**2380**      **K**      **an..35**      **Date-/Time-/Period**  
*Date of receipt or date of delivery.*  
*Date formatted as indicated in data element 2379.*

**2379**      **K**      **an..3**      **Date-/Time-/Period, Format, Qualifier**  
*The following codes are available:*

102“      *CCYYMMDD*  
 „203“      *CCCCMMDDHHMM*

**MOA** M 1 Monetary Amount  
*This segment is used to specify the monetary amount*

**C516** M MONETARY AMOUNT

**5025** M AN..3 Monetary Amount, Qualifier

Constant Value:

"203" <i>Item Amount</i>
--------------------------

**5004** M N..18 Monetary Amount

Monetary Amount to two decimal places.

Note:

*Transmission of the due amounts only when there is an urgent order that has been priced.*

FTX K 1 Free Text

*As a basic principle the use of free text is not recommended, as during the electronic interchange the free text usually has to be manually processed by the recipient.*

**4451** M an..3 TEXT SUBJECT, CODED

Constant Value:

„PRD“ Product Information

**4453** Not used.

**C107** NOT USED.

**C108** M TEXT

**4440** M an..70 Free Text

**4440** K an..70 Free Text

**4440** K an..70 Free Text

**4440** K an..70 Free Text

Note:

*The FTX Segment is only to be used in the case of composite articles.*

**Group of Segments 28 K 1**

*This segment group contains the PRI Segment and is used for the transmission of prices.*

**PRI M 1 Price Details**

*This Segment contains the relevant pricing information for the goods, identified in the LIN Segment.*

**C509 M PRICE INFORMATION**

**5125 M an..3 Price, Qualifier**

*Constant Value:*

„AAA“ *Calculation net (incl. charges and allowances, tax-exempt)*

**5118 M n..15 Price**

*Price of the article to three decimal places.*

**5375 K n..15 NOT USED**

**5387 NOT USED**

**5284 M n..9 Unit Price Basis**

*Refers to the previously indicated price and the units of measurement specified in data element 6411. If the price refers, for instance, to one piece, a 1 must be transmitted in this data element and the code PCE, standing for piece, must be transmitted in the data element 6411. The price basis is to be indicated as follows:*

- „1“ = 1 Unit
- „10“ = 10 Units
- „33“ = 33 Units
- „100“ = 100 Units
- etc.*

*If the contents are not filled to capacity, the price remains, independent of quantity.*

**6411 M an..3 Unit of Measurement, Qualifier**

*See code list 6411*

**Group of Segments 28 End**

**Group of Segments 25 End**

**UNS M 1 Section Control**

*The UNS Segment is a service segment and designates the break between the part relating to an item and the part relating to the sum total.*

**0081 M A1 SECTION IDENTIFIER, CODED**

*Constant Value:*

„S“ <i>Separation between item and sum total</i>
--

**MOA M 1 Monetary Amount**

*This Segment is used to specify the monetary amount*

**C516 M MONETARY AMOUNT**

**5025 M AN..3 Monetary Amount, Qualifier**

*Constant Value:*

“86“ <i>Entire Amount of the Message</i>
--

**5004 M N..18 Monetary Amount**

Monetary Amount. **Two** decimal places.

**CNT K 1 Control Total**

*This Segment is used to provide the sum totals.*

**C270 M SUM TOTAL**

**6069 M AN..3 CONTROL QUALIFIER**

*Constant Value:*

„2“ <i>Number of line items in message</i>
--

**6066 M an..18 Control Value**

---

<b>UNT</b>	M 1	<b>Message Trailer</b> <i>This segment is used to end the message and to check that it is complete.</i>
<b>0074</b>	M N..6	<b>NUMBER OF SEGMENTS IN A MESSAGE.</b> <i>Number of the segments transmitted with this message incl. the segments UNH und UNT.</i>
<b>0062</b>	M AN..14	<b>MESSAGE REFERENCE NUMBER</b> <i>Here the same reference number has to be inserted as in UNH / 0062. This number is compared with the registration in the segment UNH upon receipt of the message.</i>

---

<b>UNZ</b>	M 1	<b>User data Trailer</b> <i>This segment is used to terminate the transmission file and to check that it is complete.</i>
<b>0036</b>	M N..6	<b>DATA EXCHANGE COUNTER</b> <i>Here the number of messages in the framework user data UNB...UNZ is entered.</i>
<b>0020</b>	M AN..14	<b>DATA EXCHANGE REFERENCE</b> <i>The same reference number has to be inserted here as in UNH / 0020. This number is compared with the registration in the segment UNH upon receipt of the message.</i>

---

## – Code list

### Code List 6411:

001	Barrel (205 Litres, 45 Gallons) (EAN-Code)		This code indicates that the measure
002	Degree Days (EAN-Code)		qualifier is a percentage value, for example.
003	Giga Calories (EAN-Code)		The relative humidity is 52% (Code RA in
004	Mega Joules per Cubic Metre (EAN-Code)		Data Element 6313).
ACR	Acre (4840 yd <sup>2</sup> )	PCE	Piece
AMT	Amount (EAN-Code) Unit of a Monetary Amount.	PGE	Page (EAN-Code).
APX	Troy Ounce (31, 10348 g) (EAN-Code)		The indication to that the number of pages
ASM	Alcohol Content per Mass	PND	for the provision of the order is relevant, for
ASV	Alcohol Content per Volume	PPM	example: number of fax- pages.
BTU	British Thermal Unit (1055 Kilo Joule)	PTI	Pound (EAN-Code)
C0	Telephone Unit; Measurement Unit for Telephone Calls. EANCOM Indication: Code Value is t C0 (C Null).	PTN	Parts per Million (EAN-Code)
CEL	Degrees Celsius		Pint UK (0, 568262 Litre)
CMK	Square Centimetre		Portion (EAN-Code)
CMT	Centimetre		The indication about the number of portions
DAY	Day, the Definition of a Day as Measurement Unit.	QAN	(doses in the medical sense) in which a
DMT	Decimetre	QTI	product may be divided in for prescriptions,
EA	Every Single (one)	RTO	for example: a package with 6 portions or a
FAH	Degrees Fahrenheit	SEC	medical liquid in 20 doses
FOT	Foot (0, 3048 m)	ST	Quarter of a Year
GJO	Giga Joule	TNE	Quart UK (1, 1136523 Litre)
GLI	Gallon (4, 546092 dm <sup>3</sup> )	VL	Ratio (EAN-Code)
GRM	Gram	WHR	Second
GWH	Giga Watt-Hour (1Million kW/h)	WRD	Sheet of Paper
HLT	Hectolitre		Metric Tonne (1000kg)
HUR	Hour		Volt
INH	Inch (25, 4 mm)	WTT	Watt Hour
JOU	Joule	YRD	Word (EAN-Code)
KBA	Kilo Bar		The definition of a word as a unit of
KEL	Kelvin		measurement. For example: 21 words in a
KGM	Kilogramm		telefax.
KHZ	Kilo Hertz		
KJO	Kilo Joule		
KMT	Kilometre		
KVT	Kilo Volt		
KWH	Kilo Watt Hour		
KWT	Kilo Watt		
LNE	Number of printed lines (EAN-Code). Indication of the printed lines on a paper receipt (for example telegram) for calculation purposes.		
LTR	Litre (1 dm <sup>3</sup> )		
MAL	1 Million Litres		
MAW	Mega Watt		
MGM	Milligram		
MHZ	Mega Hertz		
MIN	Minute		
MLT	Millilitre		
MMT	Millimetre		
MTK	Square Metre		
MTQ	Cubic Metre		
MTR	Metre		
MWH	Megawatt Hour (1000 KWh)		
NAR	Number of Articles		
NRL	Number of Rolls		
ONZ	Ounce GB, US (28, 349523 g)		
OZA	Liquid Ounce US (29, 5735 cm <sup>3</sup> )		
OZI	Liquid Ounce UK (28,413 cm <sup>3</sup> )		

## Code-list

**Code LIST 6313**

Code	Description	Code	Description
A	Consolidated weight	DP	Depth
AAA	Unit Net Weight Weight (mass) of goods including any packaging that is used for commercial purposes	ENE	Nutritional measurement indication (EAN-Code)
AAB	Unit gross weight (mass) of goods including packaging but excluding the carrier's equipment.	FCT	Fat content (EAN-Code) A measurement indication for the fat content of a product
AAC	Total net weight Total weight of goods of all units of an article on the basis of which the amount of the order is supplied.	G	Gross weight Weight (mass) of goods including packaging but excluding the carrier's equipment
AAD	Total gross weight (mass) of goods including packaging but excluding the carrier's equipment	GMC	Gross Measurement of the volume (EAN-Code) Gross Measurement of the volume of an article
AAE	Item gross weight	HAT	Height measurement indication Numerical value of the height D
AAF	Net net weight Weight (mass) of the goods themselves without any packaging.		Inside diameter The measured inside diameter of a roll, tube, pipe or ring.
AAO	Humidity	LAY	Number of Layers (EAN-Code) Number of layers of an article or several articles within a packing piece, container, pallet etc.
AAP	Self- explanatory Voltage	LN	Length dimension Length of pieces or packages stated for transport purposes.
AAQ	Self- explanatory Power consumption	NPP	Number of pallet places (EAN-Code) The number of pallet places that is required in purchase order to stock pallets or to transport pallets (possibly stacked).
AAU	Value of energy consumption Heat dissipation	OD	Outside diameter The measured outside diameter of a roll, tube, pipe or ring.
AAV	Self- explanatory Operative temperature	PMC	Net Measurement Indication of the volume (EAN-Code) Net Measurement Indication of the volume of packaging.
AAW	Temperature identified system or process works according to specifications.	RA	Relative humidity
AAX	Gross volume The volume unadjusted for factors such as temperature or gravity.	SPG	Specific gravity (EAN-Code)
AAZ	Net volume The volume after adjustment for factors such as temperature or gravity.	SSZ	Raster size (EAN-Code)
AAY	Water content		Indication of the measurement options of an article produced independent of a purchase order (CSA), e.g. 10 metre wooden planks cut to a size of 2 metres
ABJ	Water content in product	T	Tare weight
ABK	Volume	TC	Temperature A measurement in relation to temperature.
ADX	The amount of air space taken up by the entity identified in the 6311 qualifier. Transport container's relevant filling weight	TH	Thickness
	Relevant filling weight of a transport container.	UCO	Unit per packing piece (EAN-Code) The number of identified units per packing piece.
ADY	Transport container's maximum capacity	ULY	The number of units per layer (EAN-Code) The number of units of a product per layer of a packing piece, a container, a palette etc.
ADZ	Maximum capacity of a transport container. Declared net weight	WD	Width dimension Numeric value of width.
	The declared net weight of a product or products used for invoicing, customs or transport purposes	WRM	Weight per running metre (EAN-Code) A code indicating the weight per running metre of floor covering for a covered surface
AEA	Loading height ^ Maximum height of products or packages loaded onto a given transportation device or equipment such as a pallet	WSM	Weight per square metre (EAN-Code) A code indicating the weight per square metre of floor covering for a covered surface.
AEB	Stacking height Maximum height up to which the same product or package may be vertically stacked for storage purposes.	ZWA	Waste content The measured waste content.
DBX	Degree Öchsle (EAN-Code) The sugar concentration		
DI	Diameter Diameter of an article.		
DN	Density		

**Code List 6345 (Currency Codes according to ISO 4217)**

(Annotation: all EURO Participating Countries up from February 2002 with EUR)

ADN	Andorra Peseta	GYD	Guyana Dollar
AED	UAE Dirham	HKD	Hong Kong Dollar
AFA	Afghani	HNL	Lempira
ALL	Lek	HRD	Croatian Dinar
ANG	Netherlands Antillean Guilder	HTG	Gourde
AOK	Kwanza	HUF	Forint
ARA	Austral	IDR	Rupiah
ARS	Argentine Peso	IEP	Irish Pound
ATS	Schilling	ILS	Shekel
AUD	Australian Dollar	INR	Indian Rupee
AWG	Aruban Guilder	IQD	Iraqi Dinar
BBD	Barbados Dollar	IRR	Iranian Rial
BDT	Taka	ISK	Iceland Krona
BEC	Belgian Franc (convertible)	ITL	Italian Lira
BEF	Belgian Franc	JMD	Jamaican Dollar
BEL	Belgian Franc (financial)	JOD	Jordanian Dinar
BGL	Lev	JPY	Yen
BHD	Bahraini Dinar	KES	Kenyan Shilling
BIF	Burundi Franc	KGS	Som
BMD	Bermudian Dollar (customarily: Bermuda Dollar)	KHR	Riel
BND	Brunei Dollar	KMF	Comoro Franc
BOB	Boliviano	KPW	North Korean Won
BRC	Cruzado	KRW	Won
BRR	Cruzeiro Real	KWD	Kuwaiti Dinar
BSD	Bahamian Dollar	KYD	Cayman Islands Dollar
BTN	Ngultrum	LAK	Kip
BUK	Kyat	LBP	Lebanese Pound
BWP	Pula	LKR	Sri Lanka Rupee
BZD	Belize Dollar	LRD	Liberian Dollar
CAD	Canadian Dollar	LSL	Loti
CHF	Swiss Franc	LTL	Lithuanian Litas
CLF	Unidades de fomento	LUC	Luxembourg Franc (convertible)
CLP	Chilean Peso	LUF	Luxembourg Franc
CNY	Yuan Renminbi	LUL	Luxembourg Franc (financial)
COP	Colombian Peso	LVL	Latvian Lats
CRC	Costa Rican Colon	LYD	Libyan Dinar
CUP	Cuban Peso	MAD	Moroccan Dirham
CVE	Cape Verde Escudo	MAD	Moroccan Dirham
CYP	Cyprus Pound	MGF	Malagasy Franc
CZK	Czech Koruna	MKD	Denar
DEM	Deutsche Mark	MNT	Tugrik
DJF	Djibouti Franc	MOP	Pataca
DKK	Danish Krone	MRO	Ouguiya
DKK	Danish Krone	MTL	Maltese Lira
DOP	Dominican Peso	MUR	Mauritius Rupee
DZD	Algerian Dinar	MVR	Rufiyaa
ECS	Sucre	MWK	Kwacha
EEK	Kroon	MXN	Mexican Nuevo Peso
EGP	Egyptian Pound	MYR	Malaysian Ringgit
ESB	Spanish Peseta (convertible Peseta accounts)	MZM	Metical
ESP	Spanish Peseta	NAD	Namibia Dollar
ETB	Ethiopian Birr	NGN	Naira
EUR	EURO	NIC	Cordoba
FIM	Markka	NIO	Cordoba Oro
FJD	Fiji Dollar	NLG	Netherlands Guilder
FKP	Falkland Islands Pound	NOK	Norwegian Krone
FRF	French Franc	NOK	Norwegian Krone
GBP	Pound Sterling	NPR	Nepalese Rupee
GHC	Cedi	PEI	Inti
GIP	Gibraltar Pound	PEN	Nuevo Sol
GMD	Dalasi	PHP	Philippine Peso
GNF	Guinea Franc	PKG	Kina
GRD	Drachma	PKR	Pakistan Rupee
GTQ	Quetzal	PLZ	Zloty
GWP	Guinea-Bissau Peso	PTE	Portuguese Escudo
		PYG	Guarani
		QAR	Qatari Rial

---

ROL	Leu
RUR	Russian Ruble
RWF	Rwanda Franc
SAR	Saudi Riyal
SBD	Solomon Islands Dollar
SCR	Seychelles Rupee
SDD	Sudanese Dinar
SDP	Sudanese Pound
SEK	Swedish Krona
SGD	Singapore Dollar
SHP	St. Helena Pound
IST	Tolar
SKK	Slovak Koruna
SLL	Leone
SOS	Somali Shilling
SRG	Suriname Guilder
STD	Dobra
SVC	El Salvador Colon
SYP	Syrian Pound
SZL	Lilangeni
THB	Baht
TMM	Manat
TND	Tunisian Dinar
TOP	Pa'anga
TPE	Timor Escudo
TRL	Turkish Lira
TTD	Trinidad and Tobago Dollar
TWD	New Taiwan Dollar
TZS	Tanzanian Shilling
UAK	Karbovanet
UGS	Uganda Shilling
USD	US Dollar
USN	US Dollar (next day)
USS	US Dollar (same day)
UYU	Peso Uruguayo
VEB	Bolivar
VND	Dong
VUV	Vatu
WST	Tala
XAF	CFA Franc BEAC
XAG	Silver
XAU	Gold
XBA	European Composite Unit (EURCO)
XBB	European Monetary Unit (E.M.U.-6)
XBC	European Unit of Account 9 (E.U.A.-9)
XBD	European Unit of Account 17 (E.U.A.-17)
XCD	East Caribbean Dollar
XDR	SDR
XEU	European Currency Unit (E.C.U.)
XFO	Gold-Franc
XFU	UIC-Franc
XOF	CFA Franc BCEAO
XPD	Palladium
XPF	CFP Franc
XRE	RINET Funds Code
XTS	Code specifically reserved for testing purposes
XXX	For transactions where no currency is involved
YDD	Yemeni Dinar
YER	Yemeni Rial
YUD	New Yugoslavian Dinar
YUN	Yugoslavian Dinar